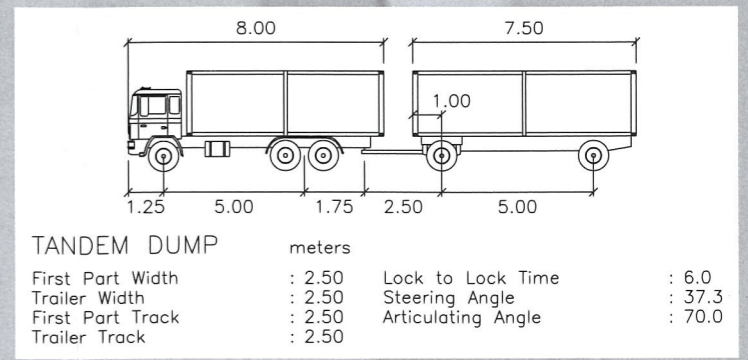


Tuesday, 6 August 2013 9:06:40 a.m. 0 20mm@A3



REV	DATE	DRN	CHK	DESCRIPTION
---	05/06/12	---	---	Sourced from Watercare - AEE-MAIN-6.2.dwg

**WATERCARE CENTRAL INTERCEPTOR
MAY ROAD (WS2) - TRUCK TRACKING**



DRAWN: SP	---	---
DATE: 06/08/13	STATUS: ---	
SCALE: 1:250@A3		
DWG NO: 11117A69A		

